



Braukmann D06FN

Pressure reducing valve with balanced seat

Low pressure pattern

APPLICATION

According to EN 806-2 pressure reducing valves of this type protect household water installations against excessive pressure from the supply. They can also be used for industrial or commercial applications within the range of their specification.

By installing a pressure reducing valve, pressurisation damage is avoided and water consumption is reduced.

The set pressure is also maintained constant, even when there is wide inlet pressure fluctuation.

Reduction of the operating pressure and maintaining it at a constant level minimizes flow noise in the installation.

SPECIAL FEATURES

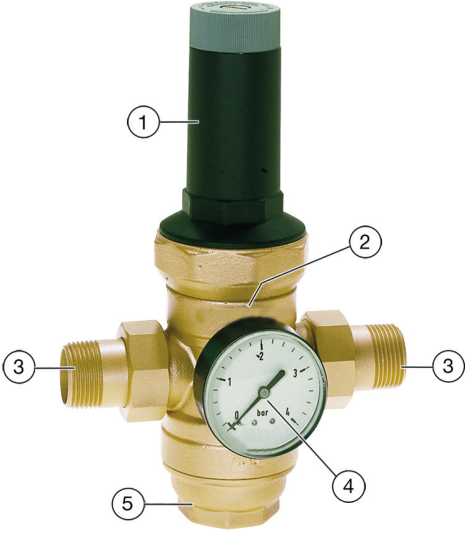
- Inlet pressure balancing – no influence on outlet pressure by fluctuating inlet pressure
- Up to size 1¹/₄" approved by LGA for low noise, Group 1 without limitations
- The valve insert is of high-quality synthetic material and can be fully exchanged
- The outlet pressure is set by turning the adjustment knob
- The set pressure is directly indicated on the set point scale
- The adjustment spring is not in contact with the drinking water
- Integral fine filter
- Easily retrofittable to convert valve to a reverse-rinsing filter combination
- Can be retrofitted with an inlet check valve
- Also available without fittings
- All materials are UBA conform
- ACS certified



TECHNICAL DATA

Media	
Medium:	Drinking water
Connections/Sizes	
Connection sizes:	1/2" - 2"
Nominal sizes:	DN15 - DN50
Pressure values	
Max. inlet pressure:	25 bar
Outlet pressure:	0.5 - 2 bar
Preset outlet pressure:	1.5 bar
Minimum pressure:	0.5 bar
Operating temperatures	
Max. operating temperature medium (10 bar):	70 °C
Max. operating temperature medium accord. to EN 1567:	30 °C

CONSTRUCTION

Overview	Components	Materials	
	1	Spring bonnet with adjustment knob	High-quality synthetic material
	2	Housing with pressure gauge connections on both sides	Dezincification-resistant brass
	3	Threaded male connections (option B)	Brass
	4	Pressure gauge not included (see accessories)	High-quality synthetic material
	5	Filter bowl	Brass
Not depicted components:			
	Adjustment spring	Spring steel	
	Valve insert complete with diaphragm and valve seat	High-quality synthetic material, EPDM diaphragm	
	Fine filter with 0.16 mm mesh	Stainless steel	
	Intermediate ring	Brass	
	Seals	EPDM	

METHOD OF OPERATION

Spring loaded pressure reducing valves operate by means of a force equalising system. The force of a diaphragm operates against the force of an adjustment spring. If the outlet pressure and therefore diaphragm force fall because water is drawn, the then greater force of the spring causes the valve to open. The outlet pressure then increases until the forces between the diaphragm and the spring are equal again.

The inlet pressure has no influence in either opening or closing of the valve. Because of this, inlet pressure fluctuation does not influence the outlet pressure, thus providing inlet pressure balancing.

TRANSPORTATION AND STORAGE

Keep parts in their original packaging and unpack them shortly before use.

The following parameters apply during transportation and storage:

Parameter	Value
Environment:	clean, dry and dust free
Min. ambient temperature:	5 °C
Max. ambient temperature:	55 °C
Min. ambient relative humidity:	25 % *
Max. ambient relative humidity:	85 % *

*non condensing

INSTALLATION GUIDELINES

Setup requirements

- Install in horizontal pipework with filter bowl downwards
- Install shut-off valves
- The installation location should be protected against frost and be easily accessible
 - Pressure gauge can be read off easily
 - Simplified maintenance and cleaning
- Install downstream of the filter or strainer
 - This position ensures optimum protection for the pressure reducing valve against dirt
- Provide a straight section of pipework of at least five times the nominal valve size after the pressure reducing valve (in accordance with EN 806-2)
- Requires regular maintenance in accordance with EN 806-5

Installation Example

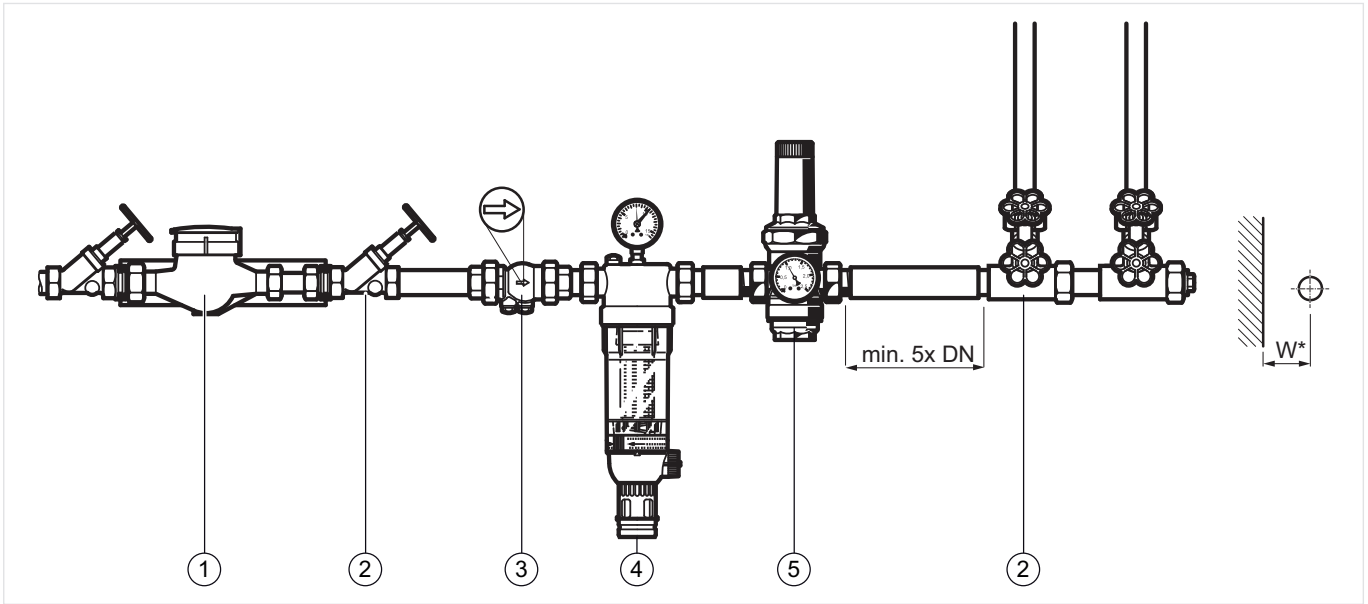


Fig. 1 Standard installation example for the pressure reducing valve

- 1 Water meter
- 2 Shut-off valve
- 3 Check valve
- 4 Filtering unit
- 5 Pressure reducing valve

Connection sizes:	1/2"	3/4"	1"	1 1/4"	1 1/2"	2"
Distance in mm (W*):	55	55	60	60	70	70

* Required installation distances between the centerline of the pipework and the surrounding in dependency of the connection size.

TECHNICAL CHARACTERISTICS

kvs-Values

Connection sizes:	1/2"	3/4"	1"	1 1/4"	1 1/2"	2"
k _{VS} -value (m ³ /h):	2.4	3.1	7.6	9.1	12.6	12.0

Pressure drop characteristics

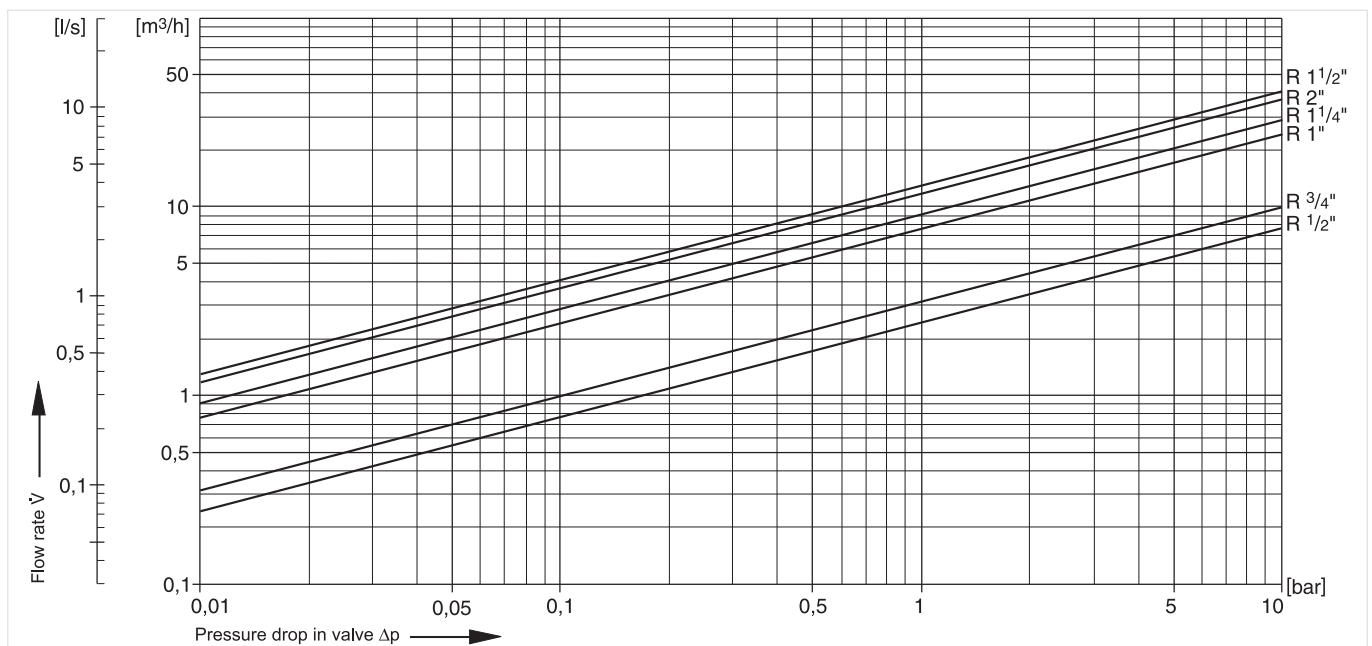
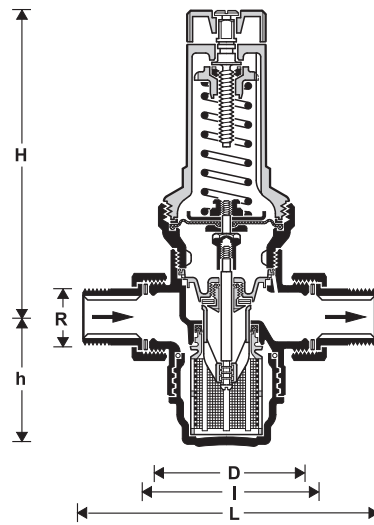


Fig. 2 Pressure drop within the valve in dependency of the flow rate and the used connection size

DIMENSIONS

Overview



Parameter		Values					
Connection sizes:	R	1/2"	3/4"	1"	1 1/4"	1 1/2"	2"
Nominal size diameter:	DN	15	20	25	32	40	50
Weight:	kg	1.4	1.6	2.4	2.8	4.4	5.6
Dimensions:	L	140	160	180	200	225	255
	I	80	90	100	105	130	140
	H	148	148	185	185	210	210
	h	56	56	77	77	113	113
	D	73	73	83	83	102	102

Note: All dimensions in mm unless stated otherwise.

ORDERING INFORMATION

The following tables contain all the information you need to make an order of an item of your choice. When ordering, please always state the type, the ordering or the part number.

Options

The valve is available in the following sizes: 1/2", 3/4", 1", 1 1/4", 1 1/2" and 2".

- standard
- not available

		D06FN-...B
Max. operating temperature medium:	70 °C	•
Filter bowl:	brass	•
Connection type:	external threaded connection set on in- and outlet	•

Note: ... = space holder for connection size

Note: Ordering number example for 1 1/4" and type B valve: D06FN-1 1/4B

Note: Special Versions available on request

Accessories

	Description	Dimension	Part No.
	M07M Pressure gauge		
	Housing diameter 63 mm, rear connection thread G 1/4"		
	Range: 0 - 4 bar		M07M-A4
	Range: 0 - 10 bar		M07M-A10
	Range: 0 - 16 bar		M07M-A16
	Range: 0 - 25 bar		M07M-A25
	ZR06K Double ring wrench		
	For removal of spring bonnet and filter bowl		ZR06K
	VST06A Connection set		
	Threaded connections		
		1/2"	VST06-1/2A
		3/4"	VST06-3/4A
		1"	VST06-1A
		1 1/4"	VST06-11/4A
		1 1/2"	VST06-11/2A
	2"	VST06-2A	
	VST06B Connection set		
	Solder connections		
		1/2"	VST06-1/2B
		3/4"	VST06-3/4B
		1"	VST06-1B
		1 1/4"	VST06-11/4B
		1 1/2"	VST06-11/2B
	2"	VST06-2B	

Spare Parts

Pressure Reducing Valve D06FN, from 1997 onwards

Overview	Description	Dimension	Part No.
	1 Spring bonnet complete		
		1/2" + 3/4"	0901513
		1" + 1 1/4"	0900154
		1 1/2" + 2"	0900154
	2 Valve insert complete (without filter)		
		1/2" + 3/4"	D06FNA-1/2
		1" + 1 1/4"	D06FNA-1
		1 1/2" + 2"	D06FNA-11/2
	3 Union seal washer (10 pcs.)		
		1/2"	0901443
		3/4"	0901444
		1"	0901445
		1 1/4"	0901446
		1 1/2"	0901447
		2"	0901448
	4 Blanking plug with O-ring R1/4" (5 pcs.)		
		1/2" - 2"	S06K-1/4
	5 Replacement filter insert		
		1/2" + 3/4"	ES06F-1/2A
		1" + 1 1/4"	ES06F-1A
		1 1/2" + 2"	ES06F-11/2A
6 O-ring set (10 pcs.)			
	1/2" + 3/4"	0901246	
	1" + 1 1/4"	0901247	
	1 1/2" + 2"	0901248	
7 Brass filter bowl with O-ring			
	1/2" + 3/4"	SM06T-1/2	
	1" + 1 1/4"	SM06T-1A	
	1 1/2" + 2"	SM06T-11/2	

* included with 2



Manufactured for and on behalf of
 Pittway Sàrl, Z.A., La Pièce 4,
 1180 Rolle, Switzerland
 by its authorised representative
 Ademco 1 GmbH

For more information
homecomfort.resideo.com/europe

Ademco 1 GmbH, Hardhofweg 40,
 74821 MOSBACH, GERMANY

Phone: +49 6261 810
 Fax: +49 6261 81309