

Braukmann R295HP-F

Mechanical disconnecter hydraulic actuated GB type according to EN 1717

Application

Mechanical disconnectors of this type are suitable for the protection of drinking water systems as required by EN 1717 "The technical regulation of drinking water systems".

Their purpose is to protect systems against back pressure, back flow and back syphonage of non-potable water into the public water supply network.

Mechanical disconnectors of this type can be used to provide protection up to and including liquid category 4 (toxic, very toxic, carcinogenic and radioactive substances).

Special Features

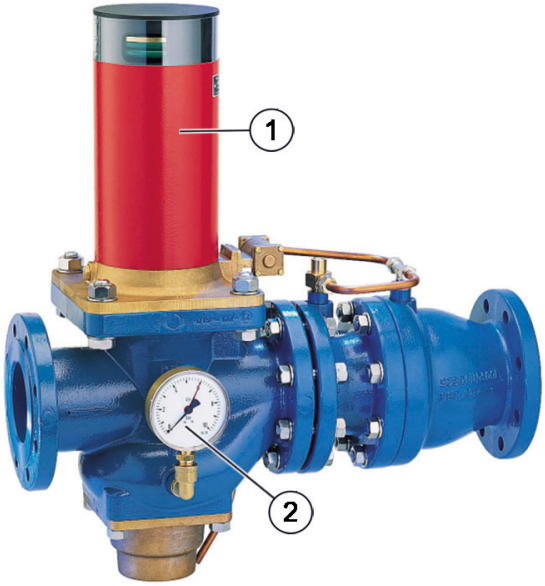
- Optimal protection of the drinking water supply system
- Enhanced protection against back pressure, back flow and back syphonage into the water supply network
- Shut-off position visually indicated on the spring bonnet
- Compact construction
- Powder-coated inside and outside - Powder used is physiologically and toxicologically safe
- All materials are KTW approved
- Low pressure loss
- 5-year warranty



Technical Data

Media	
Medium:	Drinking water
Connections/Sizes	
Connection size:	DN65 - DN100
Pressure values	
Inlet pressure range:	1.5 bar - 10 bar
Opening pressure:	0.5 bar
Operating temperatures	
Max. operating temperature medium:	40 °C
Specifications	
Installation position:	Horizontal with spring bonnet upwards
Min. flow rate:	1 l/min

Construction

Overview	Components	Materials	
	1	Spring bonnet	Steel
	2	Housing with pressure gauge	Grey cast iron housing, powder-coated inside and outside
	Not depicted components:		
		Pressure control unit	-
		PN 16 flanged connections to ISO 7005-2, DIN EN 1092-2	Grey cast iron
		Drain connector	Red bronze drain connector up to DN100
		Valve insert with spring	Stainless steel valve stem and spring
		Spindle guide with double O-ring seal	-
		Balanced-seat piston	Stainless steel
		Seals	Elastic, ageing and scuff resistant elastomer
	Bearing surfaces for sliding internal parts	High-grade synthetic material	
	Hydraulically controlled changeover valve	-	
	Internal parts	Red bronze and brass	

Method of Operation

Type 2 mechanical disconnectors are normally in the shut-off position. When water is drawn from the downstream system, the differential pressure in the mechanical disconnectors rises. If the differential pressure rises above 0.5 bar, the hydraulic operator causes the control valve to change the mechanical disconnectors into the flow position. When the draw-off stops, the differential pressure then falls again and the pressure sensor transmits a signal to the control valve, which then returns the mechanical disconnectors to the normal shut-off position.

Transportation and Storage

Keep parts in their original packaging and unpack them shortly before use.

The following parameters apply during transportation and storage:

Parameter	Value
Environment:	clean, dry and dust free
Min. ambient temperature:	5 °C
Max. ambient temperature:	55 °C
Min. ambient relative humidity:	25 % *
Max. ambient relative humidity:	85 % *

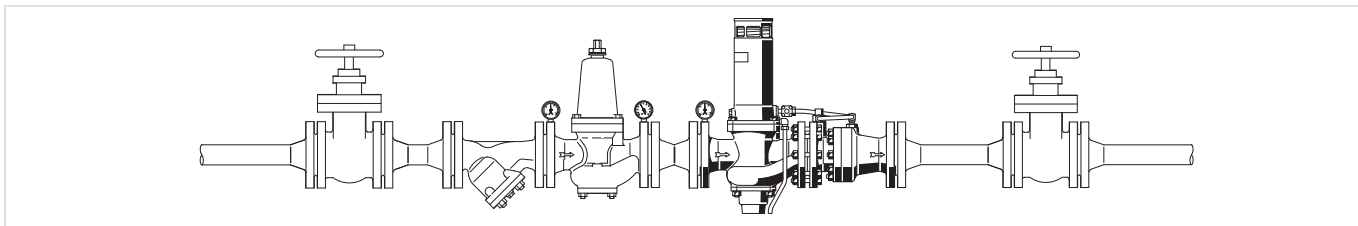
*non condensing

Installation Guidelines

Setup requirements

- Install shut-off valves
- Install in horizontal pipework with spring bonnet directed upwards
- Ensure good access
 - Pressure gauge can be read off easily
 - Simplifies maintenance and inspection
- Install a strainer upstream of the mechanical disconnecter
 - To protect the mechanical disconnecter from dirt
- If pressure shock is anticipated in the outlet side of the disconnecter, a pressure shock damper or expansion vessel must be fitted on the system downstream of the disconnecter
- In order to avoid flooding, it is recommended to arrange a permanent, professionally dimensioned wastewater connection
- These armatures need to be maintained regularly

Installation Example



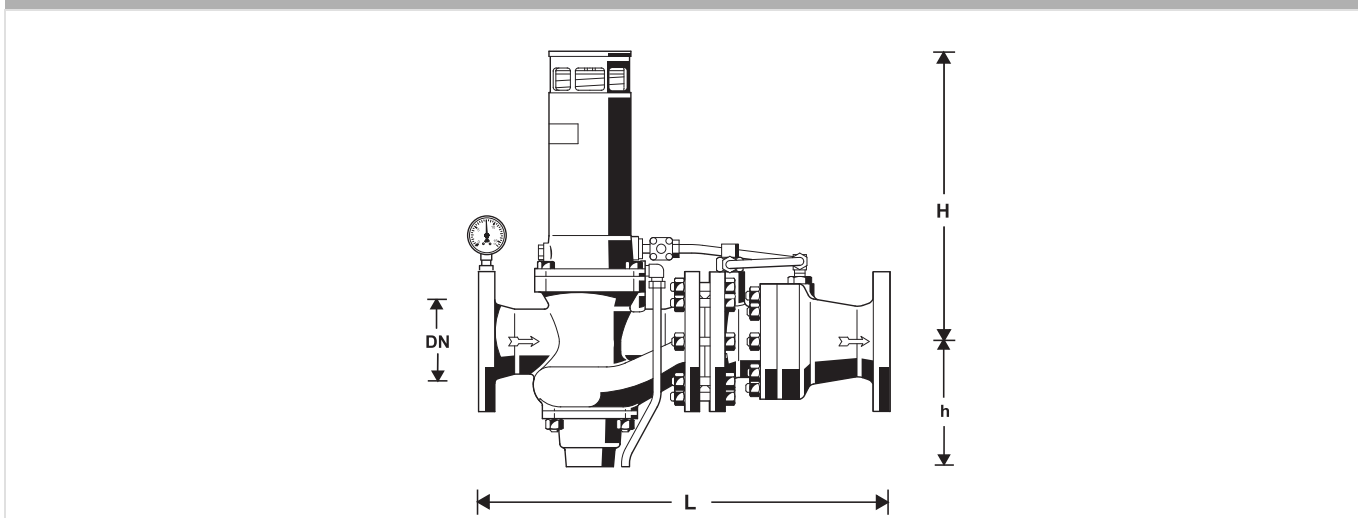
Technical Characteristics

kvs-Values

Connection sizes:	65	80	100
k_{VS} -value:	24	35	50
ξ -value:	50.0	53.5	64.0

Dimensions

Overview



Parameter	Values			
Connection Size:	DN	65	80	100
Weight:	kg	49	68	90
Dimensions:	L	532	572	652
	H	380	495	475
	h	165	208	232
Nominal flow rate at $\Delta p = 0.8$ bar:	m^3/h	21	31	45

Note: All dimensions in mm unless stated otherwise.

Ordering Information

The following tables contain all the information you need to make an order of an item of your choice. When ordering, please always state the type, the ordering or the part number.

Options

Nominal size diameter	k_{VS} -value	Item No.
65	24	R295HP-65FA
80	35	R295HP-80FA
100	50	R295HP-100FA

Spare Parts

Mechanical disconnecter R295HP-F

Overview	Description	Dimension	Item No.	
	1 Valve insert complete			
		DN65	R295AP-65FB	
		DN80	R295AP-80FB	
		DN100	R295AP-100FB	
		DN125	R295AP-125FB	
		DN150	R295AP-150FB	
		DN200	R295AP-200FB	
	2 Set of seals			
		DN65	0901093	
		DN80	0901094	
		DN100	0901095	
		DN125	0901143	
		DN150	0901145	
		DN200	0901147	
	3 Pilot valve			
		DN65 - DN200	2183500	
	4 Pressure balancing valve			
		DN65 - DN200	0901417	
	5 Lip seal ring			
		DN65	5350000	
	DN80	5350300		
	DN100	5350400		
	DN125	2070300		
	DN150	2067300		
	DN200	2238900		
6 Valve disc guide				
	DN65	0900376		
	DN80	0900377		
	DN100	0900378		
	DN125	0900379		
	DN150	0900380		
	DN200	0900381		
7 Pressure gauge				
	0 - 16 bar	M39M-A16		
8 Pressure gauge				
	0 - 16 bar	M07M-A16		
9 Hexagon-plug with copper sealing-ring R¹/₄" (5 pcs.)				
			S06M-1/4	



Ademco 1 GmbH, Hardhofweg 40,
74821 MOSBACH, GERMANY
Phone: +49 6261 810

Manufactured for and on behalf of
Pittway Sàrl, Z.A., La Pièce 6,
1180 Rolle, Switzerland

Subject to change. EN0H-1212GE23 R0724
© 2024 Resideo Technologies, Inc.
All rights reserved.

For more information
resideo.com

This document contains proprietary information of Pittway Sàrl and its affiliated companies and is protected by copyright and other international laws. Reproduction or improper use without specific written authorization of Pittway Sàrl is strictly forbidden.